

1 IN 6 OUT DMX REPEATER DATASHEET



■ Technical Specifications

Operating Voltage : 12~48VDC

Power Consumption : 1W

Number of Input Channels : 1CH DMX

Number of Output Channels : 6CH DMX

DMX Data : 1-512

Body Type: ABS

Body Color : Black / Grey

Mounting Type : DIN Rail

Warranty : 2 Years

Protection : IP20

Weight : 250 gr

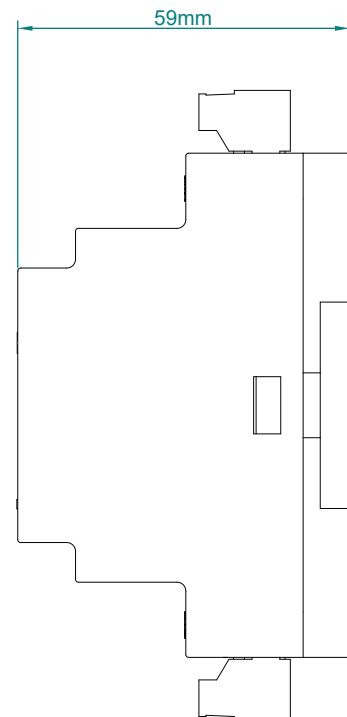
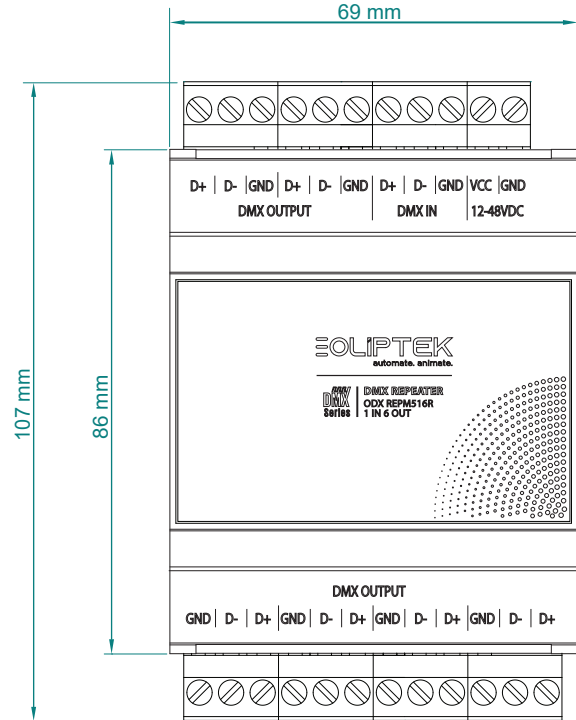
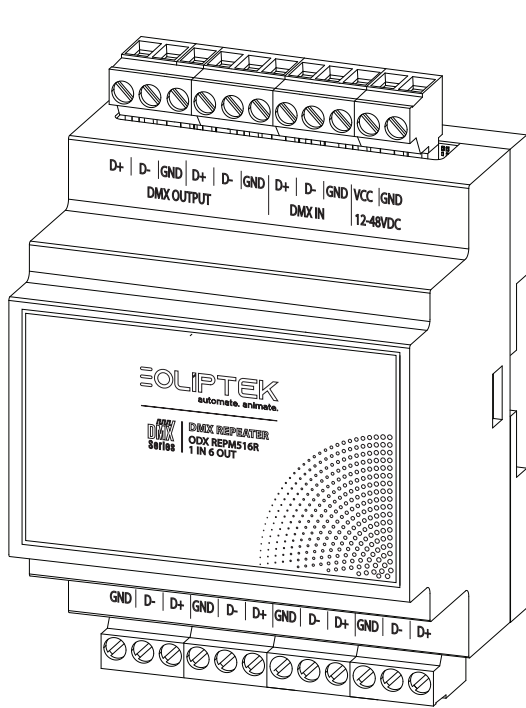
Operating temperature : -20°C to + 50°C

Storage temperature : -40°C to + 85°C

Operating humidity : ≥5% -95% RH

Dimension : 86x69x59mm

Dimensions



Schematics Diagram

